

INSTALLATION MANUAL

PRODUCT: FRONT ALUMINUM BUMPER

MODEL: MITSUBISHI L200 / TRITON (2019 - PRESENT)

PART NO: 2D.4011.1-NL



REAR BUMPER

Part number 2D.4012.1-NL

Suited to vehicle: MITSUBISHI L200 (2019-)

Material: Aluminum / Steel



SAFETY NOTICE

- * The Bumper is designed to compliment the use and design of the specified vehicle under conditions specified by the vehicle manufacturer.
- * While driving the vehicle at any speed, collision with any other vehicle, animal or object must always be avoided.
- * Following any collision with any other vehicle, animal or object, Bumper and the vehicle must be inspected by a specialized or suitably qualified vehicle repairer for possible damage to the components and assemblies in order to confirm suitability for further use of the vehicle.
- * It is strongly recommended that you do not operate a vehicle with a damaged bumper or its components. In the case of damage, please contact the nearest Rival authorised stocklist.
- * The operation of a vehicle where the bumper is not properly attached and fastened to the vehicle, or where the bumper has been damaged, is extremely dangerous and must be avoided at all cost.
- * It is recommended that you carry out regular inspections of all the bumper elements such as all bolts, wires, connectors.

INSTALLATION MANUAL

PRODUCT: FRONT ALUMINUM BUMPER

MODEL: MITSUBISHI L200 / TRITON (2019 - PRESENT)

PART NO: 2D.4011.1-NL



INSTALLATION MANUAL

PRODUCT: REAR BUMPER

MODEL: MITSUBISHI L200 (2019-)

PART NO: 2D.4012.1-NL



TECHNICAL INFORMATION

*RECOVERY POINTS



WARNING

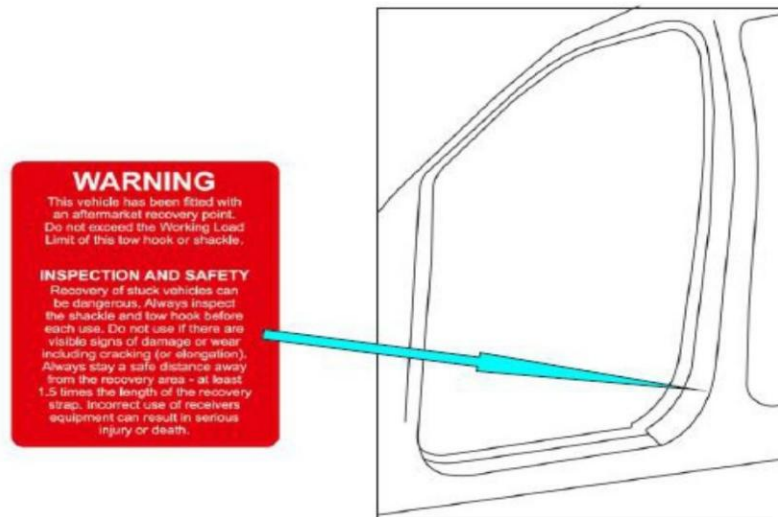
Do not exceed the Working Load Limit of these recovery points or shackle.

INSPECTION AND SAFETY

Recovery of stuck vehicles can be dangerous. Always inspect the shackle and recovery points before each use. Do not use if there are visible signs of damage or wear including cracking (or elongation). Always stay a safe distance away from the recovery area - at least 1.5 times the length of the recovery strap. Incorrect use of receivers equipment can result in serious injury or death.

Always use recovery points as a matched pair teamed with an equalising bridle during any recovery situation.

Please attach this "Warning" label to the door aperture.



INSTALLATION MANUAL

PRODUCT: FRONT ALUMINUM BUMPER

MODEL: MITSUBISHI L200 / TRITON (2019 - PRESENT)

PART NO: 2D.4011.1-NL



TECHNICAL INFORMATION

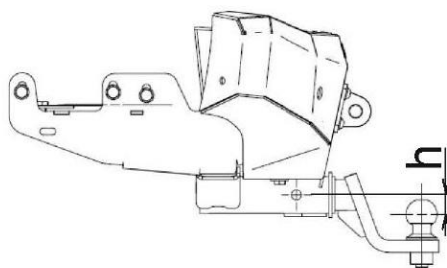
*TOW BAR INSTALLATION

The bumper design provides for installation of the American-style tow bar – square 2 (50.8 mm).

Maximum allowable vertical static load on the tow bar should be not more than 100 kg, irrespective of the trailer total weight.

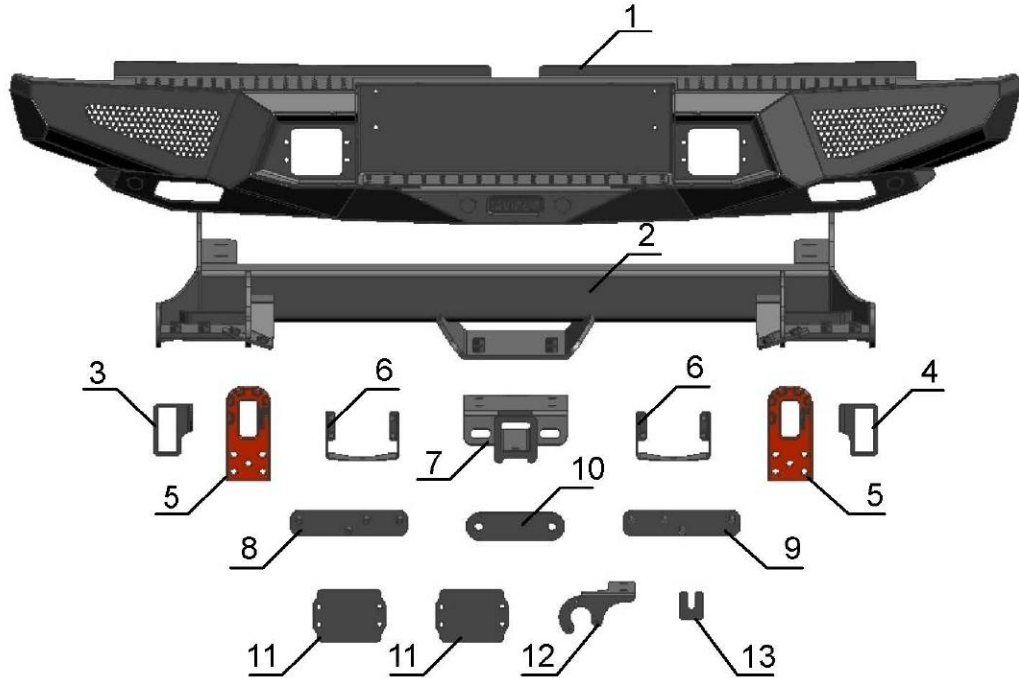
Maximum total weight of the towed trailer:

Distance h, mm	Trailer weight without braking mechanism, kg	Trailer weight fitted with braking mechanism, kg
0-35	1000	2500
36-80	750	1700



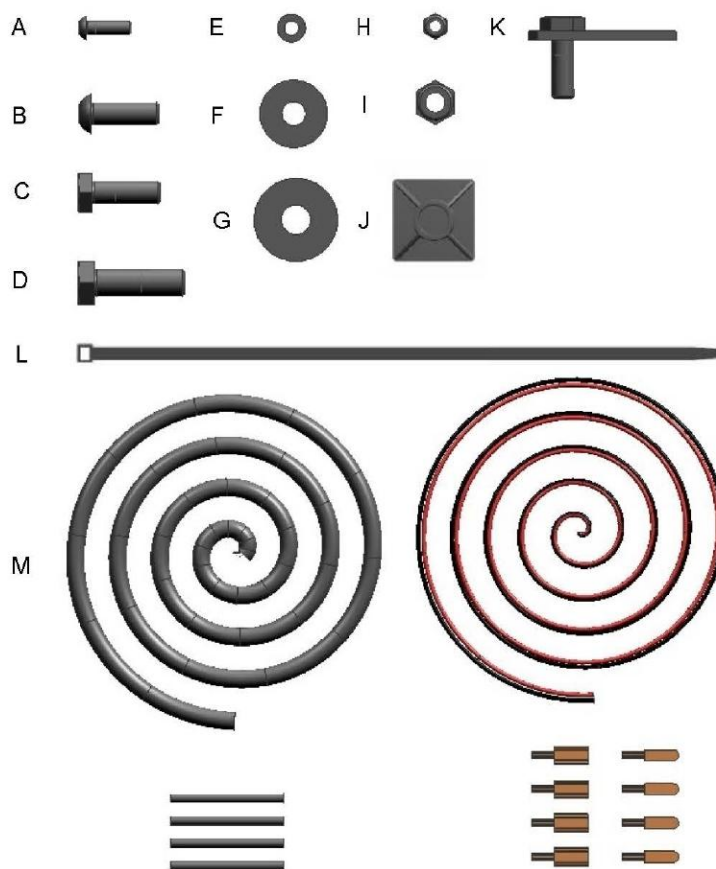
Caution!

PARTS LISTING



1. Aluminum bumper body.....	Qty 1	8. Insert bracket left.....	Qty 1
2. Bracket	Qty 1	9. Insert bracket right.....	Qty 1
3. Left bracket for license plate light.....	Qty 1	10. Adjusting plate.....	Qty 1
4. Right bracket for license plate light.....	Qty 1	11. Lamp plug.....	Qty 2
5. Recovery points.....	Qty 2	12. Tow bar socket bracket.....	Qty 1
6. LED bracket	Qty 2	13. Adjusting plate 2mm.....	Qty 8
7. Tow bar square.....	Qty 1		

PARTS LISTING



A. Screw M6x20.....	Qty 10
B. Screw M10x30.....	Qty 4
C. Bolt M10x30.....	Qty 2
D. Bolt M12x40 (2 pc. preinstalled, as travel hardware, in bumper bracket (pos. 2) and aluminum bumper body (pos. 1)).....	Qty 12
E. Washer 6.....	Qty 20
F. Washer penny 10.....	Qty 18
G. Washer penny 12 (2 pc. preinstalled, as travel hardware, in bumper bracket (pos. 2) and aluminum bumper body (pos. 1)).....	Qty 12
H. Nut M6.....	Qty 10
I. Nut M10.....	Qty 12
J. Cable clips.....	Qty 4
K. Insert bracket M10.....	Qty 2
L. Cable tie.....	Qty 4
M. Rear bumper wire extension.....	Qty 2

INSTALLATION MANUAL

PRODUCT: FRONT ALUMINUM BUMPER

MODEL: MITSUBISHI L200 / TRITON (2019 - PRESENT)

PART NO: 2D.4011.1-NL



INSTALLATION PROCEDURE

Before installation: Unscrew bolts M12x1,25x40 (pos. D) and washers 12 (pos. G), preinstalled as travel hardware, in bumper bracket (pos. 2) and aluminum bumper body (pos. 1). Set aside to reuse later on.



Fig. 1
1. Open the hood. Disconnect terminal “-” from the vehicle battery.



Fig. 2
2. Unscrew 2 OE bolts (both sides) and remove OE bumper.



INSTALLATION MANUAL

PRODUCT: FRONT ALUMINUM BUMPER

MODEL: MITSUBISHI L200 / TRITON (2019 - PRESENT)

PART NO: 2D.4011.1-NL



INSTALLATION PROCEDURE



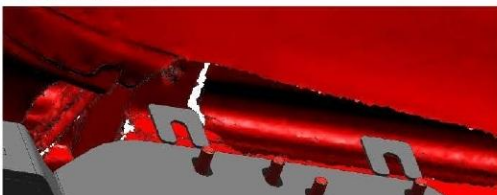
Fig. 7

7. Install insert bracket left (pos. 8) on driver's side and insert bracket right (pos. 9) on passenger's side.



Fig. 8

8. Install bolt M10x30 and washer 10 (pos. C, F) on driver's and passenger's sides, as shown in fig. 8.



INSTALLATION MANUAL

PRODUCT: FRONT ALUMINUM BUMPER

MODEL: MITSUBISHI L200 / TRITON (2019 - PRESENT)

PART NO: 2D.4011.1-NL



INSTALLATION PROCEDURE



Fig. 13

13. Place and fix license plate light cases in brackets (pos. 3,4) as shown in fig. 13.



Fig. 14

14. Install license plate light cases into special holes in aluminum bumper body (pos. 1). Fix brackets (pos. 3,4) using screw M6x20, Washer 6 and Nut M6 (pos. A, E, H). Tighten hardware after that.

INSTALLATION MANUAL

PRODUCT: FRONT ALUMINUM BUMPER

MODEL: MITSUBISHI L200 / TRITON (2019 - PRESENT)

PART NO: 2D.4011.1-NL



INSTALLATION PROCEDURE



Fig. 17
17. Install adjusting plate (pos. 10) between bumper body (pos. 1) and tow bar square (pos. 7), as shown in fig. 17.



Fig. 18
18. Fix tow bar square (pos. 7) through tow bar socket bracket (pos. 12) using bolts M12x40 and washers 12 (pos. D,G). Tighten hardware after that.



INSTALLATION MANUAL

PRODUCT: FRONT ALUMINUM BUMPER

MODEL: MITSUBISHI L200 / TRITON (2019 - PRESENT)

PART NO: 2D.4011.1-NL



INSTALLATION PROCEDURE

Before operating a vehicle fitted with a RIVAL Bumper 2D.4012.1-NL:

- make sure all fittings are tightened
- check all electrical wiring attached to lights

